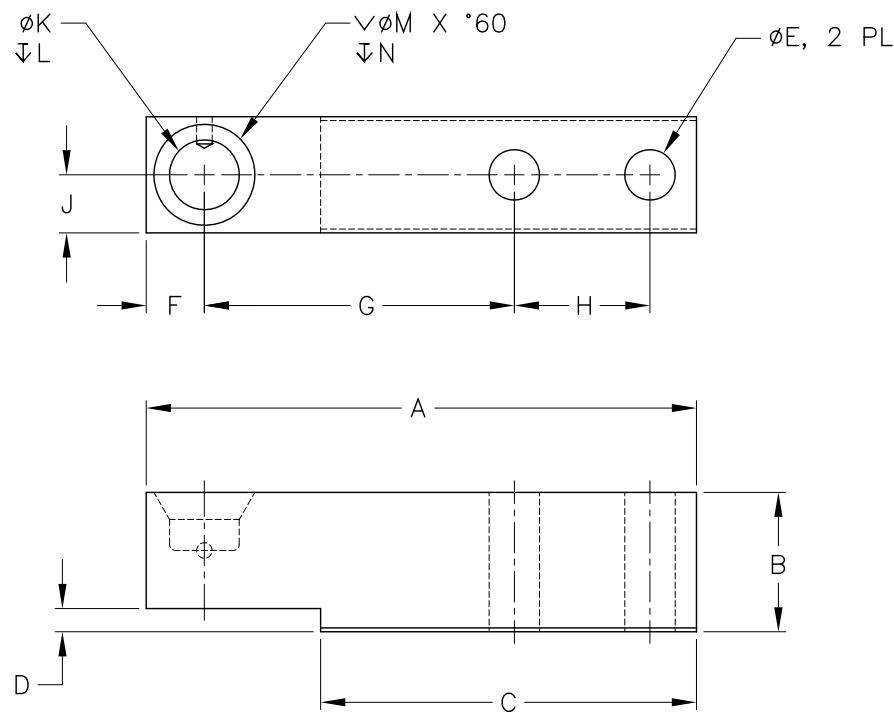


REV.	ECO/DDC	DESCRIPTION	DATE	DRAFT	CHECK	APV'D
A	----	RELEASED.	12-08-14	V.J.C.	N.H.S.	E.J.

DIMENSIONS - INCHES & [mm]

MODEL NUMBER DUMMY LOAD CELL	ASSOCIATED LOAD SENSOR	CAPACITY LBS [KN]	A	B	C	D	∅E	F	G	H	J	∅K	L	∅M	N
HI DLC-SBH04-SB05-4.5KLB	HI SBH04-1125	1125 LB [5KN]	5.59 [142.0]	1.42 [36.0]	3.82 [97.0]	.24 [6.0]	.512 [13.00]	.59 [15.0]	3.150 [80.00]	1.378 [35.00]	.59 [15.0]	.709 [18.00]	.59 [15.0]	1.027 [26.08]	.28 [17.0]
	HI SB05-1125														
	HI SBH04-2.5K	2.25 KLB [10KN]													
	HI SB05-2.5K														
	HI SBH04-4.5K	4.5 KLB [20KN]													
	HI SB05-4.5K														
HI DLC-SBH04-SB05-11.25KLB	HI SBH04-11.25K	11.25 KLB [50KN]	7.28 [185.0]	1.93 [49.0]	5.12 [130.0]	.31 [8.0]	.827 [21.00]	.83 [21.0]	4.134 [105.00]	1.574 [40.00]	.85 [21.5]	.984 [25.00]	.81 [20.50]	1.257 [31.93]	.24 [6.0]
	HI SB05-11.25K														
HI DLC-SBH04-SB05-22.5KLB	HI SBH04-22.5K	22.5 KLB [100KN]	9.25 [235.0]	2.87 [73.0]	6.10 [155.0]	.49 [12.5]	1.063 [27.00]	1.18 [30.0]	5.315 [135.00]	1.969 [50.00]	1.18 [30.0]	1.181 [30.00]	1.22 [31.0]	1.636 [41.55]	.39 [10.0]
	HI SB05-22.5K														

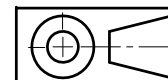



2. DUMMY LOAD CELL IS CONSTRUCTED FROM 17-4PH STAINLESS STEEL.

1. THIS DRAWING IS SUBJECT TO CHANGE WITHOUT NOTICE.

NOTES: UNLESS OTHERWISE SPECIFIED

PROPRIETARY NOTICE
ALL DATA AND INFORMATION CONTAINED IN OR DISCLOSED BY THIS DOCUMENT IS CONFIDENTIAL AND PROPRIETARY INFORMATION OF HARDY PROCESS SOLUTIONS INC. AND ALL RIGHTS THEREIN ARE EXPRESSLY RESERVED. BY ACCEPTING THIS MATERIAL THE RECIPIENT AGREES THAT THIS MATERIAL AND THE INFORMATION CONTAINED THEREIN IS HELD IN CONFIDENCE AND IN TRUST AND SHALL NOT BE USED, COPIED, REPRODUCED IN WHOLE OR IN PART, NOR ITS CONTENTS REVEALED IN ANY MANNER TO OTHERS, EXCEPT TO MEET THE SPECIFIC PURPOSE FOR WHICH IT WAS DELIVERED.



		0588-0169	OUTLINE DRAWING, DUMMY LOAD CELL, HI DLC-SBH04-SB05 SERIES				
ITEM	QTY	PART NUMBER	DESCRIPTION	COMMENTS			
PARTS LIST							
UNLESS OTHERWISE SPECIFIED DIMENSIONS ARE IN INCH [MM]		CONTRACT NO.		 HARDY PROCESS SOLUTIONS			
TOLERANCES ARE:		APPROVALS					
FRACTIONS: N/A		DRAWN	DATE				
DECIMALS: .XX = ±.03 [.8]		V. CHULA	12-03-14				
.XXX = ±.010 [.25]		CHECKED	DATE	OUTLINE DRAWING, DUMMY LOAD CELL, HI DLC-SBH04-SB05 SERIES			
ANGLES: ±0°, 30°		N. SCHERRER	12-05-14				
MATERIAL		APPROVED	DATE				
FINISH		E. JAMES	12-08-14				
DO NOT SCALE DRAWING		ISSUED	DATE	SIZE	FSCM	DRAWING NO.	REV.
		V. CHULA	12-08-14	D	21316	0588-0169	A
		PRODUCTION	DATE	FILE NAME: 588169A1.DWG		SCALE: NONE	SHEET 1 OF 1